

# FastTrack™

Low-Profile Trench Drain System



## Fast

Channel joints connect easily with no hardware needed

Rebar anchors secure channels in place during the concrete pour

## Versatile

Tough, lightweight, HDPE channels are U.V. and chemical resistant

A variety of grating options for all types of traffic

## Low Profile

Provides an engineered drainage solution for shallow slabs or depth-restricted applications.

Durable covers protect channels during rough-in. Slide to overlap joints and help maintain alignment.



Supply

Drainage

Support

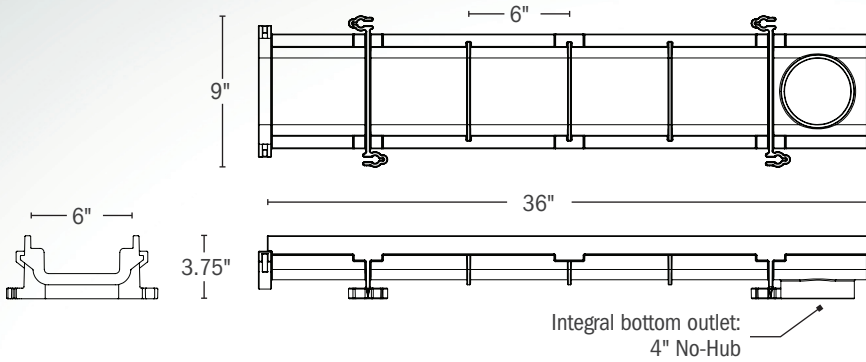
Specialties

[www.siouxchief.com](http://www.siouxchief.com)

TAKE THE FIELD.



# Dimensions



Add 1" to overall height when using 865-F grate frame

## System Notes

- The FastTrack system is designed for on-grade installations only
- Always install expansion joints on both sides of, and parallel to the channel, per specifications
- Slab should be sloped toward the channel on both sides to promote proper drainage
- Grate level should be set ~3/16" below finished slab level



865-NS1



865-GIS



865-F

## Buying Information

ITEM NO.	DESCRIPTION	MIN. QTY.	CASE QTY.
<b>CHANNELS</b>			
865-NS1	Low-Profile Neutral Channel Section with Construction Cover - 36" Long	1	1
<b>GRATES<sup>1</sup></b>			
865-GIS	Slotted Ductile Iron Grate with Screws - 36" Long - Class D400 <sup>2</sup>	1	1
865-GIC	Cross-Slot Ductile Iron Grate with Screws - 36" Long - Class C250	1	1
865-GICF	Cross-Slot Ductile Iron Grate with Screws - 36" Long - Class F900 <sup>2</sup>	1	1
865-GiD	Diagonal-Slot Ductile Iron Grate with Screws - 36" Long - Class C250	1	1
865-GHS	Slotted HDPE Grate with Screws - 36" Long - Class A15	1	1
865-GHC	Cross-Slot GF Polypro Grate with Screws - 36" Long - Class A15	1	1
865-GSA	Angle-Slot Stainless Steel Grate with Screws - 36" Long - Class 15	1	1
865-GSB	Stainless Steel Brick Slot Grate with Screws - 36" Long - Class C250	1	1
865-GSBC	Stainless Steel Brick Slot Access Section (for use with 865-GSB) - 12" Long - Class C250	1	1
865-GSD	Perforated Stainless Steel Grate with Screws - 36" Long - Class A15	1	1
865-GSS	Slotted Stainless Steel Grate with Screws - 36" Long - Class A15	1	1
865-GSSR	Reinforced Slotted Stainless Steel Grate with Screws - 36" Long - Class C250	1	1
865-GGD	Perforated Galvanized Steel Grate with Screws - 36" Long - Class A15	1	1
865-GGS	Slotted Galvanized Steel Grate with Screws - 36" Long - Class A15	1	1
865-GGSR	Reinforced Slotted Galvanized Steel Grate with Screws - 36" Long - Class C250	1	1
<b>ACCESSORIES</b>			
865-A	Grate Anchor - Stainless steel - Fits All Channels	1	20
865-C	Construction Cover - HDPE 36" Long - Fits All Channels	1	1
865-NSC	Flat, HDPE End Caps (pair) - Fits Low-Profile Channels	1	50
865-EG	Edge Guards - Stainless steel - 36" Long - Pair with Screws - Fits All Channels <sup>3</sup>	1	1
865-F	Ductile Iron Grate Frame - 36" Long with Screws - Fits All Channels	1	1
865-S15	Replacement Screws for FastTrack Grates - 1/4-20 x 1-1/2" - Bag of 3 <sup>4</sup>	1	100

<sup>1</sup> Grate load class per DIN EN1433 | <sup>2</sup> Class D400 or F900 load rating requires use of 865-F grate frame | <sup>3</sup> Not for use with 865-F grate frame | <sup>4</sup> Screws are included with grates